



STOURFLEX®

J & P Supplies Ltd

Expansion Joints & Pipeline Equipment

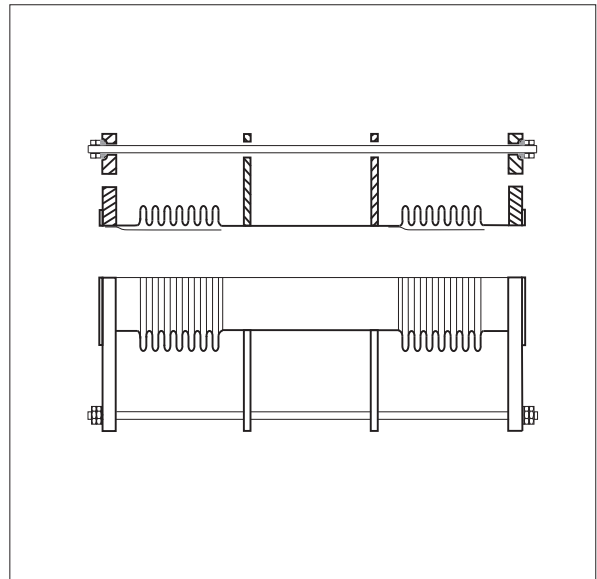
Type JP120 Lateral Expansion Joint Flanged.

Specification Double tied lateral expansion joint consisting of two stainless steel grade 321 bellows welded to carbon steel centre tube fitted with carbon steel oval flanges and tie bar assembly drilled to BS 4504 NP16.

Application Stourflex double tied expansion joints are generally installed in changes in pipework direction and will accommodate lateral movement in one or two planes. This movement occurs due to thermal expansion or contraction or building settlement. They are suitable for use on L.T.H.W., M.T.H.W., H.T.H.W., Steam and other hot liquids and gases.

Maximum working temperature 300°C.
Maximum working Pressure 16 bar at 120°C.

Stourflex lateral expansion joints should not be used at both their maximum working temperature and pressure respectively. Maximum test pressure = 1.5 x working pressure or 1.5 x flange rating whichever the lower.



Part Number	N.B. (mm)	Total Movement (± mm)	Overall Length (mm)	Lateral Spring Rate (N / mm)	Working Pressure (bar) @120°C	Cold Test Pressure (bar)
JP120-40-16	40	50	750	1	16	24
JP120-50-16	50	50	750	1	16	24
JP120-65-16	65	50	750	2	16	24
JP120-80-16	80	50	850	3	16	24
JP120-100-16	100	50	850	7	16	24
JP120-125-16	125	50	950	9	16	24
JP120-150-16	150	50	950	14	16	24
JP120-200-16	200	50	950	22	16	24
JP120-250-16	250	50	1050	32	16	24
JP120-300-16	300	50	1100	56	16	24

Stainless steel grade 321 internal flow sleeve fitted as standard.

Where service conditions above 300°C or 16 bar exist or where additional movement is required non standard variations of the **Type JP120** are available on request.

Alternative flange materials and specifications are available on request.

Stourflex lateral expansion joints are supplied at their maximum overall length and must not be extended. Lateral expansion joints must be securely anchored and adequately guided to ensure their correct performance. Omitting anchors and guides may result in failure of the system.

All Stourflex products should be installed in accordance with our fitting instructions.